

Weld-in immersion tube // Nominal size 110 // Aluminium anodized



Your advantages

Type

174 /175 A

- Accuracy according to DIN 16195
- No aging - no moving parts and no mechanical wear
- Lifetime warranty*
- Completely without electrical auxiliary energy

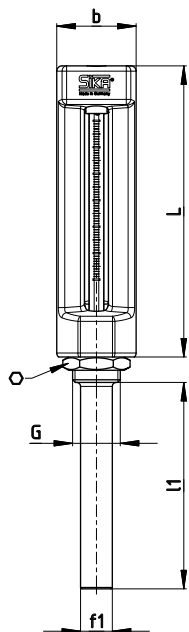
Technical data

Type	174 A	175 A
Standard	DIN 16181 B, B1 and DIN 16182 S, S1	
Version	Straight	Angle 90°
Dimensions Housing	110 x 30 mm	
Measuring range according to DIN	Between 60...120 °C	
Error limits according to DIN 16195	2 °C	
Medium / Application	Liquid and gaseous media	
Immersion tube length	78, 115, 175 mm	
Immersion tube diameter	Ø 12 mm	
Process connection	Weld-in immersion tube	
Pressure rating**	PN 35	
Medium temperature	See selected measurement range	
Ambient temperature	-20...60 °C (only indoors)	
Storage temperature	-40...100 °C	

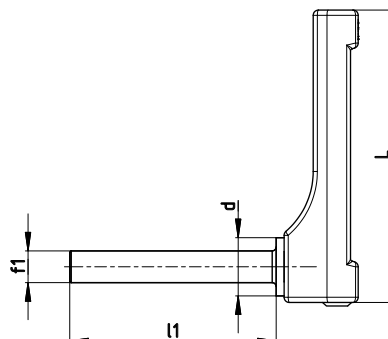
* Except glass breakage and improper installation.

** Non-binding guideline - For higher pressure loads, additional protection tubes have to be used.

Type 174 A



Type 175 A



Dimensions [mm]	L	f ₁	b	l ₁
174 A	110	Ø 12	30	78
175 A				115
				175

Material	
Housing	Warm pressed aluminium part, gold anodized
Thermometer capillary	Prismatic capillary tube of solid glass, bar-shaped, diameter approx. Ø 6 mm, scale permanently burnt in
Thermometer filling → Blue	Petroleum
Material in contact with media	
Process connection	see immersion tube material
Immersion tube material → Standard	steel, welded

Order code								
Version								
Straight	174							
Angle 90 °	175							
Immersion tube type								
Type A - plain immersion tube	1							
Display ranges								
0...120 °C		12						
0...160 °C		16						
Scale								
Celsius °C			1					
Thermometer filling								
Blue				1				
Immersion tube length (L)								
78 mm						078		
115 mm						115		
175 mm						175		
Process connection								
Weld-in immersion tube							0	
Immersion tube material								
Steel								2
Example order number	174	1	12	1	1	078	0	2