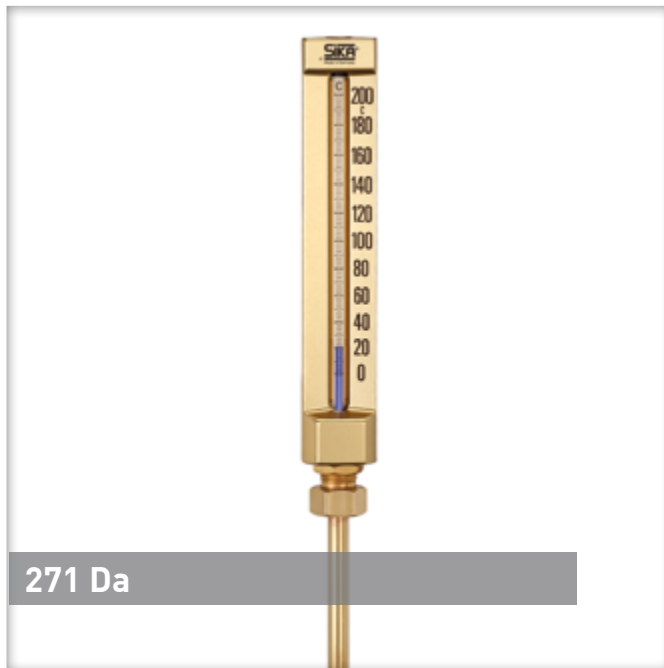
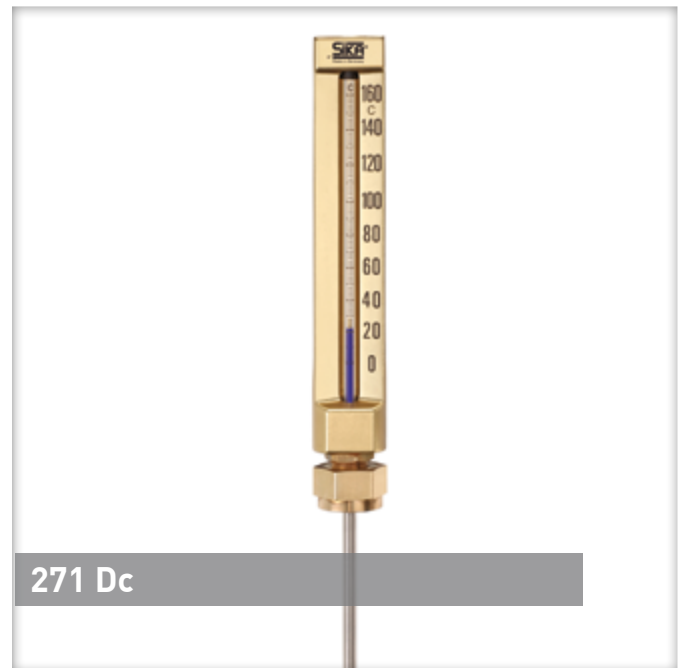


Union nut // Nominal size 200 // Aluminium anodized



271 Da



271 Dc

Your advantages

Series	271 Da / 272 Da / 271 Dc / 272 Dc
	<ul style="list-style-type: none"> • Accuracy according to DIN 16195 • No aging - no moving parts and no mechanical wear • Lifetime warranty* • Completely without electrical auxiliary energy

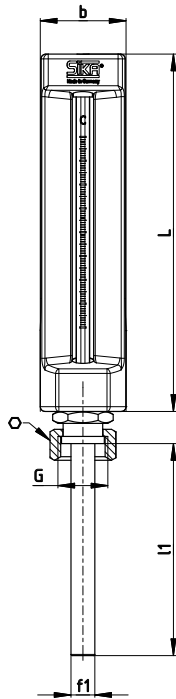
Technical data

Type	271 Da	272 Da	271 Dc	272 Dc
Standard	DIN 16189 C, C1, DIN 16190 S, S1 and DIN 16191 C, C1		DIN 16189 F	
Version	Straight	Angle 90°	Straight	Angle 90°
Dimensions Housing	200 x 36 mm			
Measuring range according to DIN	Between -30...250 °C			
Error limits according to DIN 16195	-30...100 °C = 2 °C 0...120 °C = 2 °C 0...200 °C = 4 °C			
Medium / Application	Liquid and gaseous media			
Immersion tube length	Between 89...430 mm			
Immersion tube diameter	Ø 10 mm		Ø 6.5 mm	
Process connection	union nut G½, G¾, M20 x 1.5, M27 x 2		union nut M24 x 1.5	
Pressure rating**	→ Immersion tube brass, brazed PN 16 → Immersion tube steel or stainless steel, welded PN 35			
Medium temperature	See selected measurement range			
Ambient temperature	-20...60 °C			
Storage temperature	-40...100 °C			

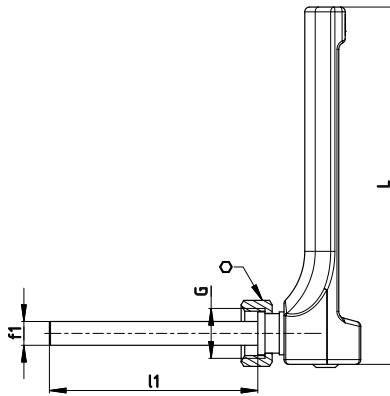
* Except glass breakage and improper installation.

** Non-binding guideline - For higher pressure loads, additional protection tubes have to be used.

Type 271 Da / 271 Dc



Type 272 Da / 272 Dc



Dimensions [mm]	L	f1	b	l1	G / O Width across flats*
271 Da	200	Ø 10	36	see order code	G 1/2 / SW27
272 Da					M20 x 1.5 / SW27
271 Dc		Ø 6.5			G 3/4 / SW32
272 Dc					M27 x 2 / SW32
					M24 x 1.5 / SW32

* Only type 271 Da / 272 Da

Material	
Housing	Warm pressed aluminium part, gold anodized
Thermometer capillary	Prismatic capillary tube of solid glass, bar-shaped, diameter approx. Ø 6 mm, scale permanently burnt in
Thermometer filling → Blue	Petroleum
Material in contact with media	
Process connection	see immersion tube material
Immersion tube material → Standard → Optional	Brass, brazed Stainless steel, welded

Order code										
Version										
Straight	271									
Angle 90 °	272									
Immersion tube type										
Type Da		3								
Type Dc		5								
Display ranges										
-30...50 °C			35							
0...60 °C			06							
0...100 °C			10							
0...120 °C			12							
0...160 °C			16							
0...200 °C			20							
0...250 °C			25							
Scale										
Celsius °C				1						
Celsius and Fahrenheit (°C + °F)				2						
Thermometer filling										
Blue					1					
Immersion tube length (l₁)			Immersion tube type							
union nut G½, M20 x 1.5 (SW27)			Da							
89 mm							089			
126 mm							126			
186 mm							186			
276 mm							276			
426 mm							426			
union nut G¾, M27 x 2 (SW32)										
93 mm							093			
130 mm							130			
190 mm							190			
280 mm							280			
430 mm							430			
Immersion tube length match protection tubes according to DIN 43772 form 4			Dc							
155 mm							155			
215 mm							215			
275 mm							275			
295 mm							295			
355 mm							355			
415 mm							415			
Process connection (union nut)										
G½ / SW27				Da				2		
M20 x 1.5 / SW27								7		
G¾ / SW32								3		
M27 x 2 / SW32								9		
M24 x 1.5 / SW32				Dc				8		
Immersion tube material										
Standard: Da = fitting and tube: brass, Dc = fitting: brass / tube: stainless steel								A		
Option: Only Da = fitting and tube: stainless steel								C		
Example order number			271	3	35	1	1	089	2	A

If required please ask for our specification sheet „Immersion tube material“