



Flow switches for HVAC applications

For pool applications



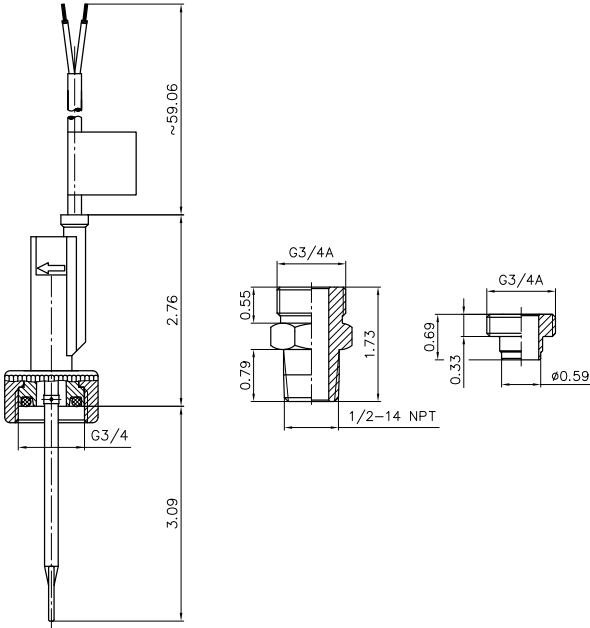
Advantages

- Flow switches for pool applications
- Insertion installation into pipelines 2...6"
- Installation with union nut or Push-In
- Low lead brass process connections
- With integrated O-ring
- VKL - pin made of plastic
- OEM flow switches, delivery lots from 100 units

Technical data	VKX05	VKL05 / VKL05 Push-In
Switching function	Contact closes at increasing flow	
Pipe size range	Applicable for pipes 2...6"	
Pressure rating	Max. 145 psi	
Temperature ranges		
Medium	-4...212 °F	-4...158 °F
Ambient	-4...158 °F	-4...158 °F
Electrical data		
Electrical connection	59 inch PVC jacket cable	
Degree of protection EN 60529	IP65	
Switching current	Max. 1 A	
Rating	Max. 26 VA, 20 W	
Switching voltage	Max. 230 VAC, 48 VDC	
Approvals	Available for*	
NSF/ANSI 372 NSF/ANSI 61 	VKX05M2P2BPU20 VKX05M2P2BPZ2B VKX05M2P2BPD2B	
	VKX05M2P2BPU20	

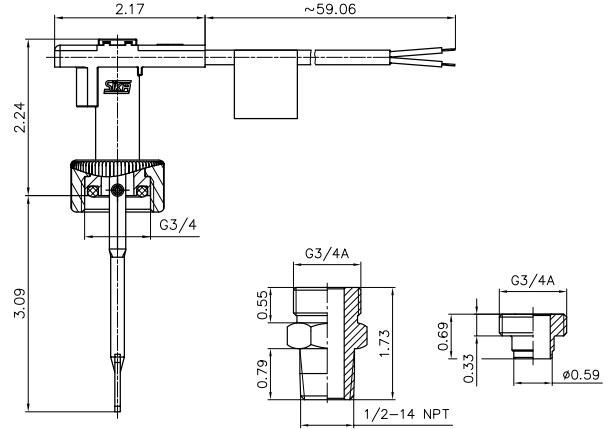
* For other types on request

VKX05



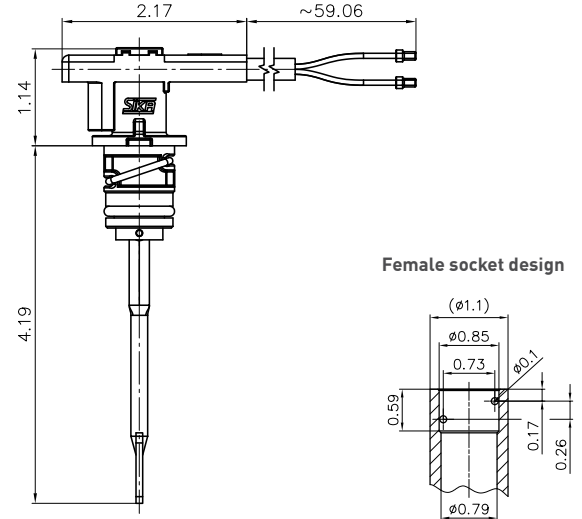
Flow direction

VKL05



Flow direction

VKL05 Push-In



Flow direction

Materials in contact with fluid

Type	VKX05	VKL05	VKL05 Push-In
Body	PPE+PS Noryl™ 30 % glass fiber reinforced		
Paddle	PPE+PS Noryl™ 30 % glass fiber reinforced		
Pin	Stainless steel 1.4571	PPE+PS Noryl™ 30 % glass fiber reinforced	
Magnet	Hard ferrite		
O-ring	EPDM		
Soldering adapter	Brass CW724R		
Process connection	Brass CW724R or stainless steel 1.4571		

Order code	Example → VKX05M2P2BP	U20
Type		
Flow Switches VKX05	VKX05M2P2BP	
Process connection		
Union nut G ³ / ₄		U20
Threaded adapter 1/2" NPT brass		Z2B
Threaded adapter 1/2" NPT stainless steel		Z23
Soldering adapter		D2B

Order code	Example → VKL05M1P2BP	U20
Type		
Flow Switch VKL05	VKL05M1P2BP	
Process connection		
Union nut G ³ / ₄		U20
Threaded adapter 1/2" NPT brass		Z21
Threaded adapter 1/2" NPT stainless steel		Z23
Soldering adapter		D21
Push-In for manifold mounting		H20