


Flow switches made of plastic

With glue-in adapter for PVC slip fit tees



Technical data	
Switching function	Contact → closes at increasing flow → opens at decreasing flow
Pressure rating	Max. 160 psi*
Temperature ranges	
Medium	Max. 212 °F*
Ambient	Max. 158 °F*
Electrical data	
Electrical connection	59 inch PVC jacket cable
Switching current	Max. 1 A
Switching voltage	Max. 230 VAC, 48 VDC
Rating	Max. 26 VA, 20 W
Degree of protection EN 60529	IP65
Approvals	
 <ul style="list-style-type: none"> • UL 508 • UL 353 • CSA C22.2#14-10 	

* Values for flow switch, observe max. values of PVC slip fit tee.

Advantages

- Flow switches made of glass fiber reinforced plastic
- Easy installation:
 - Glue the adapter into common PVC slip fit tees
 - Install the gasket
 - Insert the flow switch
 - Tighten the union nut
- Different colors of the union nut for an easy distinction

Options

For type	On request
VK3	→ Special setpoints

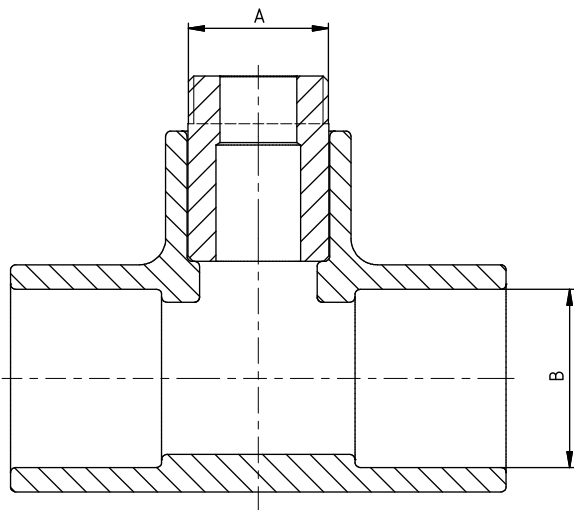


Slip fit tees are not included.

Order code	Color union nut	For PVC slip fit tees			Setpoints [GPM]*		Max. flow rate [GPM]
		Dimensions A	B	Brand	Increasing flow ON (typical values)	Decreasing flow OFF**	
VK315M0P1CPP2K	●						
		1/2"	1/2"	Spears®	1.03	0.97	7.9
VK320M0P1CPP3K	●						
		3/4"	3/4"	Nibco®	1.56	1.50	13
		3/4"	3/4"	Spears®	1.94	1.87	21
VK325M0P1CPP3K	●						
		3/4"	1"	Nibco®	2.25	2.03	15.9
		3/4"	1"	Spears®	2.70	2.36	31
		3/4"	1 1/4"	Spears®	6.80	6.02	40
VK306M2P1CPP3K	●						
Trim paddle at mark 20 (size 0.5" x 0.8")		3/4"	1 1/2"	Nibco®	9.00	8.10	71
		3/4"	1 1/2"	Spears®	8.91	8.15	66
Trim paddle at mark 30 (size 0.5" x 1.2")		3/4"	2"	Nibco®	10.67	9.32	92
		3/4"	2"	Spears®	10.86	9.54	90
Trim paddle at mark 40 (size 0.5" x 1.6")		3/4"	2 1/2"	Spears®	17.39	15.98	105
Trim paddle at mark 70 (size 0.5" x 2.8")		3/4"	3"	Nibco®	18.84	17.38	120
		3/4"	3"	Spears®	22.63	20.65	120

* Water, 68 °F, horizontal pipe

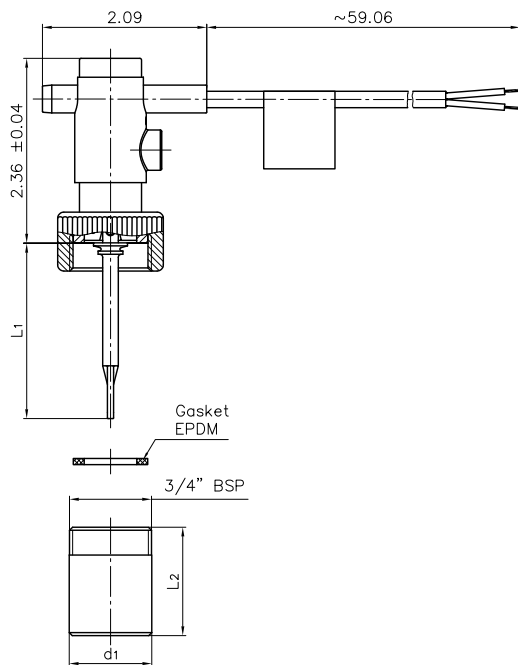
** Setpoint tolerance ±15 %



Dimensions [Inch]

Order code	L ₁	d ₁	L ₂
VK315M0P1CPP2K	2.22	0.839	1.3
VK320M0P1CPP3K	2.22	1.049	1.38
VK325M0P1CPP3K	2.5	1.049	1.38
VK306M2P1CPP3K	5.45	1.049	1.38

VK3



Materials in contact with fluid

Body, Paddle	PPE+PS Noryl™ 30 % glass fiber reinforced
Glue-in adapter	PVC
Magnet	Hard ferrite
Gasket	EPDM

