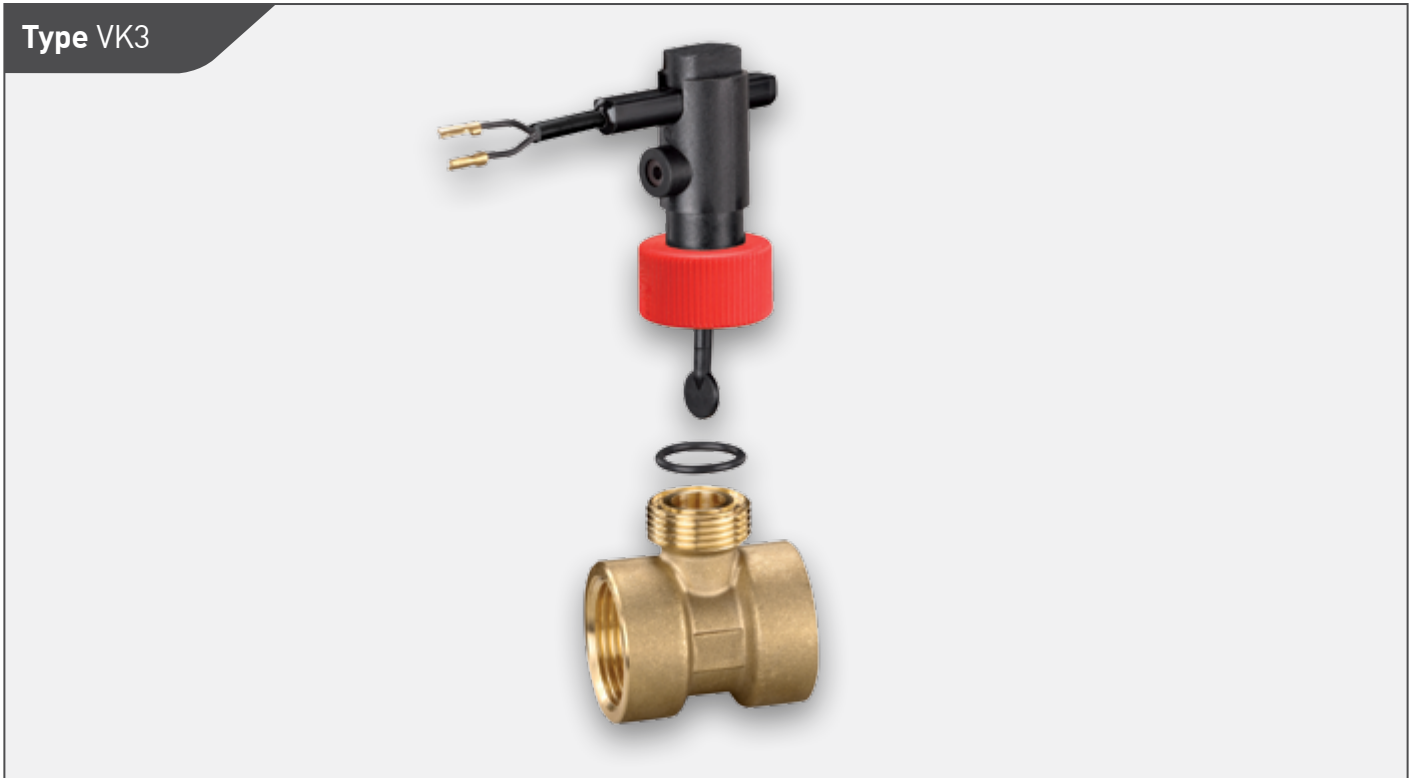



# Flow switches made of plastic

With threaded brass pipe tee



Type VK3

Technical data	
<b>Switching function</b>	Contact → closes at increasing flow → opens at decreasing flow Reversible
<b>Pressure rating</b>	Max. 160 psi
<b>Temperature ranges</b>	
<b>Medium</b>	-13....212 °F
<b>Ambient</b>	-13....158 °F
<b>Electrical data</b>	
<b>Electrical connection</b>	59 inch PVC jacket cable
<b>Switching current</b>	Max. 1 A
<b>Switching voltage</b>	Max. 230 VAC, 48 VDC
<b>Rating</b>	Max. 26 VA, 20 W
<b>Degree of protection EN 60529</b>	IP65
<b>Approval</b>	<b>Available for*</b>
 <ul style="list-style-type: none"> <li>• UL 508</li> <li>• UL 353</li> <li>• CSA C22.2#14-10</li> </ul>	VK315M0P1CPN31 VK320M0P1CPN41 VK325M0P1CPN51

## Advantages

- Flow switches made of glass fiber reinforced plastic
- With threaded brass tee 1/4...2"
- Factory set special set points for series applications
- 59 inch jacket cable or according to customer specification

## Options on request

- Special setpoints
- 4 different colors of the union nut for distinction

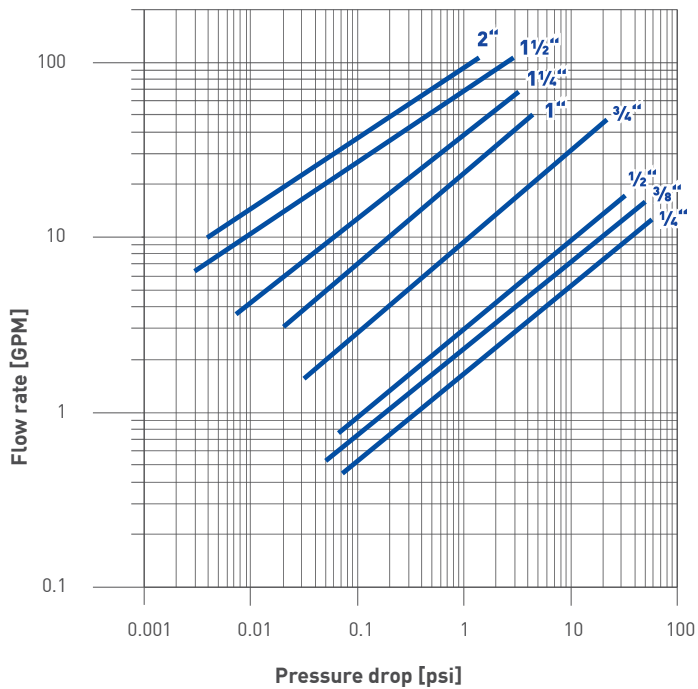
Options	
For type	On request
<b>VK3</b>	→ Special setpoints → 4 different colours of the union nut for distinction

\* For other sizes / types on request

Order code	Thread connection D <sub>1</sub>	Setpoint ranges [GPM]*		Max. flow rate [GPM]
		Increasing flow ON	Decreasing flow OFF	
VK308M0P1CPN11	¼" NPT	0.71...0.79	0.69...0.77	4
VK310M0P1CPN21	⅜" NPT	0.79...1	0.74...0.98	5
VK315M0P1CPN31	½" NPT	1...1.35	0.95...1.29	8
VK320M0P1CPN41	¾" NPT	1.9...2.38	1.82...2.3	21
VK325M0P1CPN51	1" NPT	3.34...4.36	3.25...4.2	34
VK332M0P1CPN61	1¼" NPT	4.36...5.55	4.23...5.42	47.5
VK340M0P1CPN71	1½" NPT	7.13...8.85	6.74...8.59	79
VK350M0P1CPN81	2" NPT	10.96...14.13	10.73...13.95	92.5

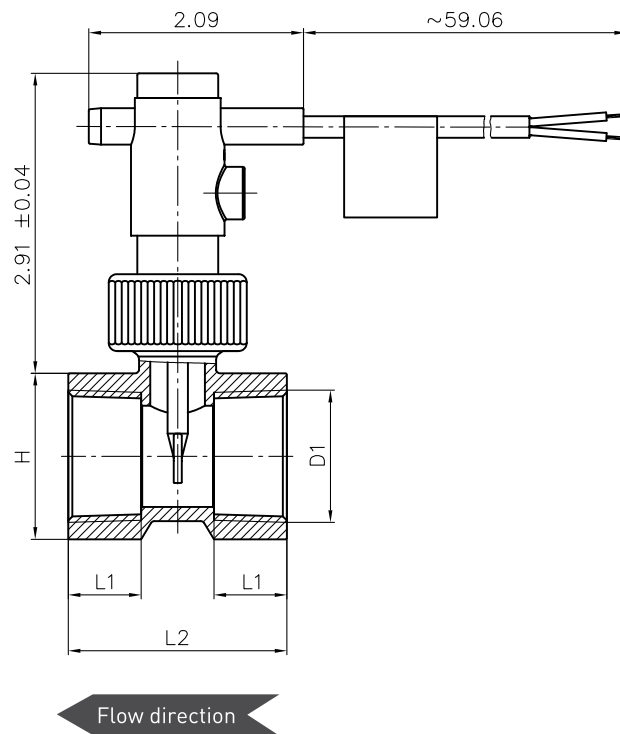
\* Water, 68 °F, horizontal pipe, tolerance ±15 %

### Typical pressure drop



**Dimensions [Inch]**

Thread connection $D_1$	$L_1$	$L_2$	H
1/4" NPT	0.49	1.97	1.05
3/8" NPT	0.59	1.97	1.05
1/2" NPT	0.59	1.97	1.05
3/4" NPT	0.78	2.36	1.37
1" NPT	0.71	2.12	1.61
1 1/4" NPT	0.98	2.76	1.81
1 1/2" NPT	0.98	2.76	2.16
2" NPT	0.98	2.76	2.76



**Materials in contact with fluid**

<b>Body, Paddle</b>	PPE+PS Noryl™ 30 % glass fiber reinforced
<b>Pipe tee</b>	Brass CW617N
<b>Magnet</b>	Hard ferrite
<b>O-ring</b>	NBR