

## Fixed male thread // Nominal size 200 and 150 // Aluminium anodized




### Your advantages

#### Series

**271 /272 / 291 /292 B**

- Accuracy according to DIN 16195
- No aging - no moving parts and no mechanical wear
- Lifetime warranty\*
- Completely without electrical auxiliary energy

### Technical data

Type	271 B	272 B	291 B	292 B
<b>Standard</b>	DIN 16189 B, DIN 16190 S, S1 and DIN 16191 B, B1		DIN 16185 B and DIN 16186 S	
<b>Version</b>	Straight	Angle 90°	Straight	Angle 90°
<b>Dimensions Housing</b>	200 x 36 mm		150 x 36 mm	
<b>Measuring range according to DIN</b>	Between -30...250 °C			
<b>Error limits according to DIN 16195</b>	-30...100 °C = 2 °C 0...120 °C = 2 °C 0...200 °C = 4 °C		-30...120 °C = 2 °C 0...160 °C = 4 °C	
<b>Medium / Application</b>	Liquid and gaseous media			
<b>Immersion tube length</b>	Between 63...250 mm			
<b>Immersion tube diameter</b>	Ø 10 mm			
<b>Process connection</b>	Fixed male thread G½, G¾, M20 x 1.5, M27 x 2			
<b>Pressure rating**</b>	→ Immersion tube brass, brazed PN 16 → Immersion tube steel or stainless steel, welded PN 35 → Immersion tube special brass or CuNi30Fe PN 16			
<b>Medium temperature</b>	See selected measurement range			
<b>Ambient temperature</b>	-20...60 °C			
<b>Storage temperature</b>	-40...100 °C			
<b>Approvals</b>				

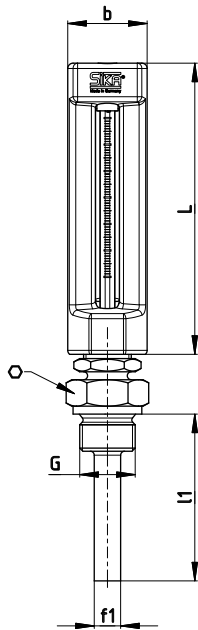
\* Except glass breakage and improper installation.

\*\* Non-binding guideline - For higher pressure loads, additional protection tubes have to be used.

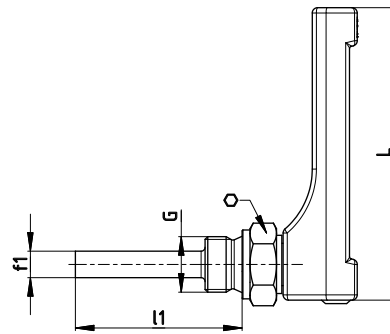
**Options**

<b>For type</b>	<b>See separate data sheet</b>
<b>271 / 272 B</b>	Process connection with union nut, Types Da / Dc
<b>291 / 292 B</b>	Version for serial applications Types HBZ / WBZ

**Type 271 B / 291 B**



**Type 272 B / 292 B**



Dimensions [mm]	L	f <sub>1</sub>	b	l <sub>1</sub>	G / ∅ Width across flats
<b>291 B / 292 B</b>	150	∅ 10	36	63	G <sup>1</sup> / <sub>2</sub> / SW27
<b>271 B / 272 B</b>	200			100	G <sup>3</sup> / <sub>4</sub> / SW32
				160	M20 x 1.5 / SW27
				250	M27 x 2 / SW32

**Material**

<b>Housing</b>	Warm pressed aluminium part, gold anodized
<b>Thermometer capillary</b>	Prismatic capillary tube of solid glass, bar-shaped, diameter approx. ∅ 6 mm, scale permanently burnt in
<b>Thermometer filling</b> → Blue	Petroleum
<b>Material in contact with media</b>	
<b>Process connection</b>	see immersion tube material
<b>Immersion tube material</b> → Standard → Optional	Brass, brazed Stainless steel, welded Special brass (sea water resistant) Copper nickel alloy CuNi30Fe (sea water resistant)

Order code										
Version	Nominal size									
Straight	200 mm	271								
Angle 90 °		272								
Straight	150 mm	291								
Angle 90 °		292								
Immersion tube type										
Type B - fixed male thread		2								
Display ranges										
-30...50 °C		35								
0...60 °C		06								
0...100 °C		10								
0...120 °C		12								
0...160 °C		16								
0...200 °C		20								
0...250 °C		25								
Scale										
Celsius °C		1								
Celsius and Fahrenheit (°C + °F)		2								
Thermometer filling										
Blue		1								
Immersion tube length (l <sub>1</sub> )										
63 mm		063								
100 mm		100								
160 mm		160								
250 mm		250								
Process connection										
G½ / SW27		2								
G¾ / SW32		3								
M20 x 1.5 / SW27		7								
M27 x 2 / SW32		9								
Immersion tube material										
Brass		1								
Stainless steel		3								
Special brass		4								
Copper nickel alloy		5								
Example order number		271	2	35	1	1	063	2	1	

If required please ask for our specification sheet „Immersion tube material“

BEST  
SELLER

Type		Immersion tube length (l <sub>1</sub> )	Order number							
<b>271 B</b>	Straight type, nominal size 200 mm, 0...100 °C, with fixed male thread G½, Immersion tube brass	63 mm	<b>271</b>	<b>2</b>	<b>10</b>	<b>1</b>	<b>1</b>	<b>063</b>	<b>2</b>	<b>1</b>
<b>271 B</b>		100 mm	<b>271</b>	<b>2</b>	<b>10</b>	<b>1</b>	<b>1</b>	<b>100</b>	<b>2</b>	<b>1</b>
<b>291 B</b>	Straight type, nominal size 150 mm, 0...100 °C, with fixed male thread G½, Immersion tube brass	63 mm	<b>291</b>	<b>2</b>	<b>10</b>	<b>1</b>	<b>1</b>	<b>063</b>	<b>2</b>	<b>1</b>
<b>291 B</b>		100 mm	<b>291</b>	<b>2</b>	<b>10</b>	<b>1</b>	<b>1</b>	<b>100</b>	<b>2</b>	<b>1</b>
<b>292 B</b>	Angle type, nominal size 150 mm, 0...100 °C, with fixed male thread G½, Immersion tube brass	63 mm	<b>292</b>	<b>2</b>	<b>10</b>	<b>1</b>	<b>1</b>	<b>063</b>	<b>2</b>	<b>1</b>
<b>292 B</b>		100 mm	<b>292</b>	<b>2</b>	<b>10</b>	<b>1</b>	<b>1</b>	<b>100</b>	<b>2</b>	<b>1</b>