


## Fixed male thread // Nominal size 110 // Aluminium anodized



### Your advantages

| Type | 174 /175 B   |
|------|--|
|      | <ul style="list-style-type: none"> <li>• Accuracy according to DIN 16195</li> <li>• No aging - no moving parts and no mechanical wear</li> <li>• Lifetime warranty*</li> <li>• Completely without electrical auxiliary energy</li> </ul> |

### Technical data

| Type                                       | 174 B   | 175 B     |
|--|---|-----------|
| <b>Standard</b>                            | DIN 16181 B, B1 and DIN 16182 S, S1   |           |
| <b>Version</b>                             | Straight  | Angle 90° |
| <b>Dimensions Housing</b>                  | 110 x 30 mm   |           |
| <b>Measuring range according to DIN</b>    | Between -30...200 °C  |           |
| <b>Error limits according to DIN 16195</b> | 2 °C  |           |
| <b>Medium / Application</b>                | Liquid and gaseous media  |           |
| <b>Immersion tube length</b>               | Between 30...250 mm   |           |
| <b>Immersion tube diameter</b>             | Ø 10 mm   |           |
| <b>Process connection</b>                  | Fixed male thread G¾, G½, M20 x 1.5   |           |
| <b>Pressure rating**</b>                   | → Immersion tube brass, brazed<br>→ Immersion tube steel or stainless steel, welded<br>→ Immersion tube special brass or CuNi30Fe |           |
| <b>Medium temperature</b>                  | See selected measurement range  |           |
| <b>Ambient temperature</b>                 | -20...60 °C (only indoors)  |           |
| <b>Storage temperature</b>                 | -40...100 °C  |           |
| <b>Approvals</b>                           |    |           |

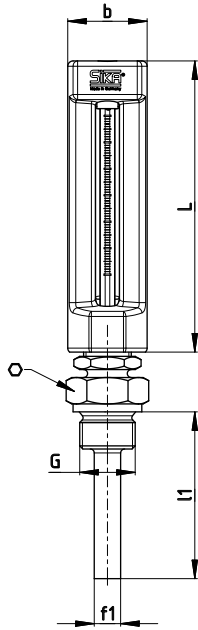
\* Except glass breakage and improper installation.

\*\* Non-binding guideline - For higher pressure loads, additional protection tubes have to be used.

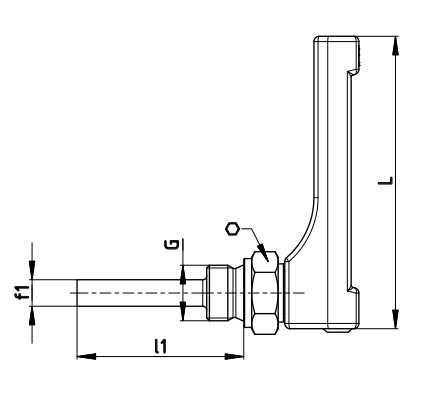
**Options**

|                    |   |
|--------------------|---|
| <b>For type</b>    | <b>See separate data sheet</b>                  |
| <b>174 / 175 B</b> | Version for serial applications Types HBZ / WBZ |

**Type 174 B**



**Type 175 B**



| Dimensions [mm] | L   | f <sub>1</sub> | b  | l <sub>1</sub>                | G / ∅ Width across flats   |
|-----------------|-----|----------------|----|-------------------------------|--|
| <b>174 B</b>    | 110 | ∅ 10           | 30 | 30                            | G <sup>3</sup> / <sub>8</sub> / SW22<br>G <sup>1</sup> / <sub>2</sub> / SW27<br>M20 x 1.5 / SW27 |
| <b>175 B</b>    |     |                |    | 40<br>63<br>100<br>160<br>250 |  |

**Material**

|  |   |
|--|---|
| <b>Housing</b>   | Warm pressed aluminium part, gold anodized  |
| <b>Thermometer capillary</b>                               | Prismatic capillary tube of solid glass, bar-shaped, diameter approx. ∅ 6 mm, scale permanently burnt in                              |
| <b>Thermometer filling</b><br>→ Blue                       | Petroleum   |
| <b>Material in contact with media</b>                      |   |
| <b>Process connection</b>                                  | see immersion tube material   |
| <b>Immersion tube material</b><br>→ Standard<br>→ Optional | Brass, brazed<br>Stainless steel, welded<br>Special brass (sea water resistant)<br>Copper nickel alloy CuNi30Fe (sea water resistant) |

| Order code                                   |  |            |          |           |          |          |            |          |          |
|--|--|------------|----------|-----------|----------|----------|------------|----------|----------|
| <b>Version</b>                               |  |            |          |           |          |          |            |          |          |
| Straight                                     |  | 174        |          |           |          |          |            |          |          |
| Angle 90 °                                   |  | 175        |          |           |          |          |            |          |          |
| <b>Immersion tube type</b>                   |  |            |          |           |          |          |            |          |          |
| Type B - fixed male thread                   |  | 2          |          |           |          |          |            |          |          |
| <b>Display ranges</b>                        |  |            |          |           |          |          |            |          |          |
| -30...50 °C                                  |  |            | 35       |           |          |          |            |          |          |
| 0...50 °C                                    |  |            | 05       |           |          |          |            |          |          |
| 0...60 °C                                    |  |            | 06       |           |          |          |            |          |          |
| 0...100 °C                                   |  |            | 10       |           |          |          |            |          |          |
| 0...120 °C                                   |  |            | 12       |           |          |          |            |          |          |
| 0...160 °C                                   |  |            | 16       |           |          |          |            |          |          |
| 0...200 °C                                   |  |            | 20       |           |          |          |            |          |          |
| <b>Scale</b>                                 |  |            |          |           |          |          |            |          |          |
| Celsius °C                                   |  |            |          | 1         |          |          |            |          |          |
| Celsius and Fahrenheit (°C + °F)             |  |            |          | 2         |          |          |            |          |          |
| <b>Thermometer filling</b>                   |  |            |          |           |          |          |            |          |          |
| Blue   |  |            |          |           | 1        |          |            |          |          |
| <b>Immersion tube length (l<sub>1</sub>)</b> |  |            |          |           |          |          |            |          |          |
| 30 mm  |  |            |          |           |          |          | 030        |          |          |
| 40 mm  |  |            |          |           |          |          | 040        |          |          |
| 63 mm  |  |            |          |           |          |          | 063        |          |          |
| 100 mm                                       |  |            |          |           |          |          | 100        |          |          |
| 160 mm                                       |  |            |          |           |          |          | 160        |          |          |
| 250 mm                                       |  |            |          |           |          |          | 250        |          |          |
| <b>Process connection</b>                    |  |            |          |           |          |          |            |          |          |
| G <sup>3</sup> / <sub>8</sub> / SW22         |  |            |          |           |          |          |            | 1        |          |
| G <sup>1</sup> / <sub>2</sub> / SW27         |  |            |          |           |          |          |            | 2        |          |
| M20 x 1.5 / SW27                             |  |            |          |           |          |          |            | 7        |          |
| <b>Immersion tube material</b>               |  |            |          |           |          |          |            |          |          |
| Brass  |  |            |          |           |          |          |            | 1        |          |
| Stainless steel                              |  |            |          |           |          |          |            | 3        |          |
| Special brass                                |  |            |          |           |          |          |            | 4        |          |
| Copper nickel alloy                          |  |            |          |           |          |          |            | 5        |          |
| <b>Example order number</b>                  |  | <b>174</b> | <b>2</b> | <b>35</b> | <b>1</b> | <b>1</b> | <b>030</b> | <b>1</b> | <b>1</b> |

If required please ask for our specification sheet „Immersion tube material“

**BEST  
SELLER**

| Type         | Immersion tube length (l <sub>1</sub> )   | Order number |            |          |           |          |            |          |          |
|--------------|---|--------------|------------|----------|-----------|----------|------------|----------|----------|
| <b>174 B</b> | Straight type, 0...100 °C<br>with fixed male thread G <sup>1</sup> / <sub>2</sub> ,<br>Immersion tube brass | 40 mm        | <b>174</b> | <b>2</b> | <b>10</b> | <b>1</b> | <b>040</b> | <b>2</b> | <b>1</b> |
| <b>174 B</b> |   | 63 mm        | <b>174</b> | <b>2</b> | <b>10</b> | <b>1</b> | <b>063</b> | <b>2</b> | <b>1</b> |
| <b>174 B</b> |   | 100 mm       | <b>174</b> | <b>2</b> | <b>10</b> | <b>1</b> | <b>100</b> | <b>2</b> | <b>1</b> |
| <b>175 B</b> | Angle type, 0...100 °C<br>with fixed male thread G <sup>3</sup> / <sub>8</sub> ,<br>Immersion tube brass    | 40 mm        | <b>175</b> | <b>2</b> | <b>10</b> | <b>1</b> | <b>040</b> | <b>2</b> | <b>1</b> |
| <b>175 B</b> |   | 63 mm        | <b>175</b> | <b>2</b> | <b>10</b> | <b>1</b> | <b>063</b> | <b>2</b> | <b>1</b> |
| <b>175 B</b> |   | 100 mm       | <b>175</b> | <b>2</b> | <b>10</b> | <b>1</b> | <b>100</b> | <b>2</b> | <b>1</b> |